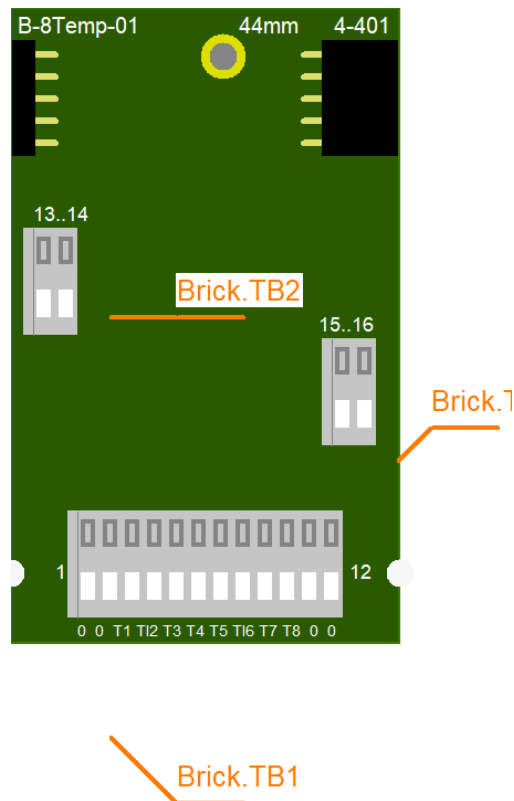


# CAE\_B-8Temp-02

## 1.1 Description

This module includes eight inputs for a temperature sensor with different ranges. It is typically used with a KTY with 2kOhm at 25Å°C. The module is equipped with enough clamps for the second connector of the sensor.

## 1.2 Connectors and Indication-/Operation-Elements



### 1.2.1 Terminal block (TB)

The following illustration the technical details for Terminal blocks are listed. The location of a specific block is documented with the ID (left column) in the previous illustrations.

ID	Model	Model / Series	Grid	Num. of term.	connection	elec. usage
Brick.TB01	Cage Terminal	WAGO250	2.5mm	12	up to 0.5mm <sup>2</sup> or 0,8mm	signal level
Brick.TB02	Cage Terminal	WAGO250	2.5mm	2	up to 0.5mm <sup>2</sup> or 0,8mm	signal level
Brick.TB03	Cage Terminal	WAGO250	2.5mm	2	up to 0.5mm <sup>2</sup> or 0,8mm	signal level

### 1.2.2 Terminal assignment

Here the assignment of individual terminals and their affiliation to terminal blocks (Te block), terminal numbers (Te no.) and short description (T.desc.) as well as their electrical function and usage are explained.

The associated mechanical and electrical properties are stated with the specific terminal block in the previous chapter. The position of a terminal is dedicated through the "Te block" and the actual terminal number (Te no.) or the terminal description (T.desc.) in the previous illustration respectively. In the column "usage" the technical-/ device-functional use is listed.

Te block	Te no.	T. descr.	Function	Usage
----------	--------	-----------	----------	-------

Brick.TB00	0	Tmp	Input Temperature Sensor	Temp1
Brick.TB00	1	0V	Ground	Temp1
Brick.TB00	2	Tmp	Input Temperature Sensor	Temp2
Brick.TB00	3	0V	Ground	Temp2
Brick.TB00	4	Tmp	Input Temperature Sensor	Temp3
Brick.TB00	5	0V	Ground	Temp3
Brick.TB00	6	Tmp	Input Temperature Sensor	Temp4
Brick.TB00	7	0V	Ground	Temp4
Brick.TB00	8	Tmp	Input Temperature Sensor	Temp5
Brick.TB00	9	0V	Ground	Temp5
Brick.TB00	10	Tmp	Input Temperature Sensor	Temp6
Brick.TB00	11	0V	Ground	Temp6
Brick.TB00	12	Tmp	Input Temperature Sensor	Temp7
Brick.TB00	13	0V	Ground	Temp7
Brick.TB00	14	Tmp	Input Temperature Sensor	Temp8
Brick.TB00	15	0V	Ground	Temp8

### 1.2.3 LED Indications

ID	Type	Specification	Type / Usage
Brick.StateLED	SMD-LED	yellow	communicationstate Brick

## 1.3 Technical Data

### 1.3.1 Analog Inputs

The control unit has the following analogue inputs / measuring inputs:

Identifier	Temp1
Type	Temperature input, KTY81-2k, -5...45°C
Range	-5 ... 45°C
Input/Load Resistor	-
Resolution	0.1%
Accuracy	2%
Linearity	1%
Filter	Tau = 1s
Linearization	-
Model / Series	KTY2k
Remark	

Identifier	Temp2
Type	Temperature input, KTY81-2k, -5...45°C
Range	-5 ... 45°C
Input/Load Resistor	-
Resolution	0.1%
Accuracy	2%
Linearity	1%
Filter	Tau = 1s
Linearization	-
Model / Series	KTY2k
Remark	

Identifier	Temp3
Type	Temperature input, KTY81-2k, -5...45°C
Range	-5 ... 45°C
Input/Load Resistor	-
Resolution	0.1%
Accuracy	2%
Linearity	1%
Filter	Tau = 1s
Linearization	-
Model / Series	KTY2k
Remark	

Identifier	Temp4
Type	Temperature input, KTY81-2k, -5...45°C
Range	-5 ... 45°C
Input/Load Resistor	-
Resolution	0.1%
Accuracy	2%
Linearity	1%
Filter	Tau = 1s
Linearization	-

Model / Series	KTY2k
Remark	

Identifier	Temp5
Type	Temperature input, KTY81-2k, -5...45°C
Range	-5 ... 45°C
Input/Load Resistor	-
Resolution	0.1%
Accuracy	2%
Linearity	1%
Filter	Tau = 1s
Linearization	-
Model / Series	KTY2k
Remark	

Identifier	Temp6
Type	Temperature input, KTY81-2k, -5...45°C
Range	-5 ... 45°C
Input/Load Resistor	-
Resolution	0.1%
Accuracy	2%
Linearity	1%
Filter	Tau = 1s
Linearization	-
Model / Series	KTY2k
Remark	

Identifier	Temp7
Type	Temperature input, KTY81-2k, -5...45°C
Range	-5 ... 45°C
Input/Load Resistor	-
Resolution	0.1%
Accuracy	2%
Linearity	1%
Filter	Tau = 1s
Linearization	-
Model / Series	KTY2k
Remark	

Identifier	Temp8
Type	Temperature input, KTY81-2k, -5...45°C
Range	-5 ... 45°C
Input/Load Resistor	-
Resolution	0.1%
Accuracy	2%
Linearity	1%
Filter	Tau = 1s
Linearization	-
Model / Series	KTY2k
Remark	

### 1.3.2 User Notes

Blinking behavior StateLED:

Each Morse code is 3 seconds long!

not initialized = flashing continuously at approx. 5Hz

no communication = short-long-short

too little communication = short-short-short

disturbed communication = short-long-long

OK = continuous flashing at approx. 1Hz (0.6-1.5Hz)

## 1.4 History

On the following page you will find a list of changes that have been made to the product.

### 1.4.1 History

Date	Entry scope (HW, SWappl, SWapi, Release)	Entry type (Enhancement, Improvement, Bugfix, Release)	Version	Status (development, implemented, tested)	Responsible	Reason for the modification	Items of the modification	Impact for (end-)customer	Comment	location in model/source
xxxx-xx-xx		Release	0.99	tested	NSt					

For questions please contact:

emBrick GmbH	Alfred-Nobel-Straße 2 D-55411 Bingen am Rhein	+49 (0)6721-48035-70	<a href="https://www.embrick.de/">https://www.embrick.de/</a> <a href="https://www.embrick.de/shop/">https://www.embrick.de/shop/</a> <a href="mailto:support@embrick.de">support@embrick.de</a>
--------------	--	----------------------	--